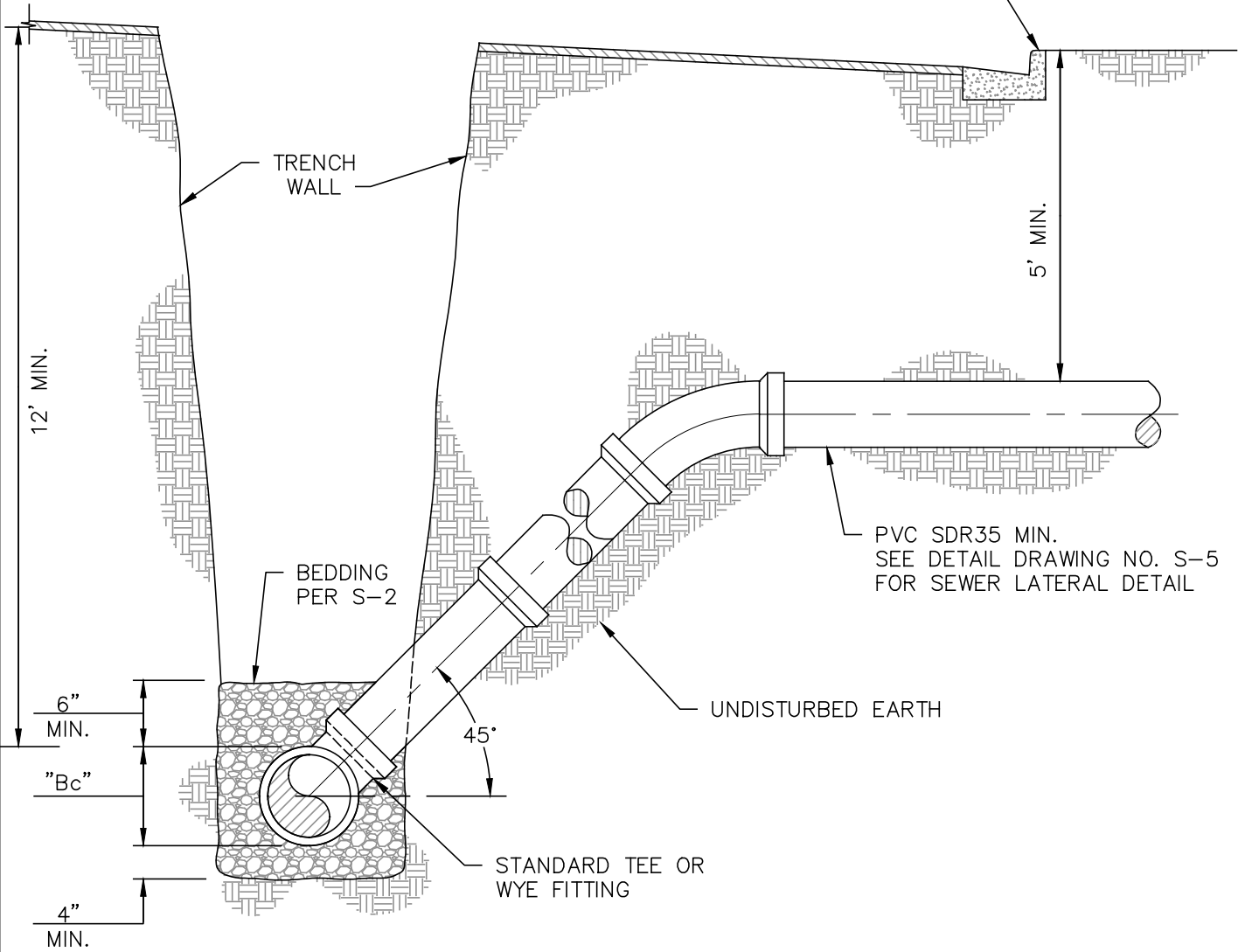


INSCRIBE AN "S" ON FACE OF THE CURB TO INDICATE WHERE LATERAL CROSSES CURB LINE



B<sub>c</sub> = OUTSIDE DIAMETER OF PIPE BARREL.

# JURUPA COMMUNITY SERVICES DISTRICT

SCALE: NONE

DATE: SEPTEMBER 2020

APPROVED BY:

Sinnaro Yos, P.E. C68607

## DEEP LATERAL FLEXIBLE GRAVITY PIPE

ALBERT A. WEBB ASSOCIATES  
CONSULTING ENGINEERS

RIVERSIDE

CALIFORNIA

DRAWING NO.

### S-6A

W.O. 19-0248

REV.