

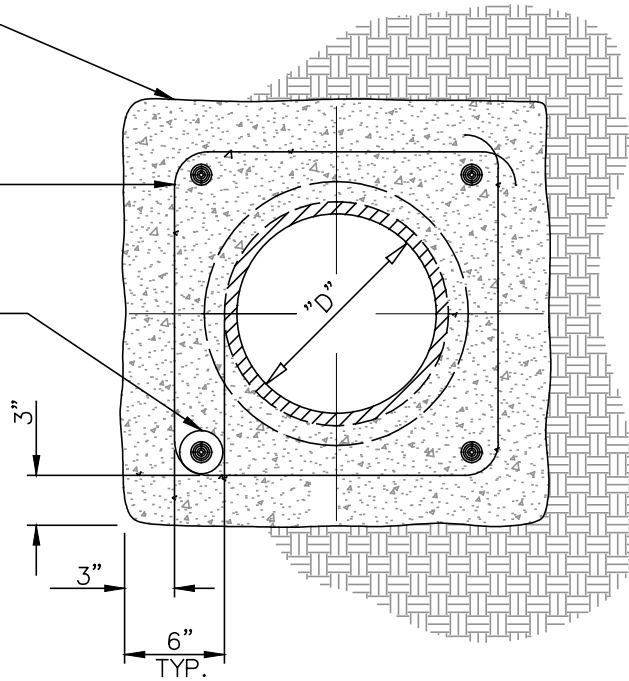
CLASS "A" CONCRETE
(4000 PSI) GREEN
IN COLOR

NO. 4 TIE BAR
24" O.C. MAX.

NO. 4 BAR LONGITUDINAL
(TYP. OF 4)*

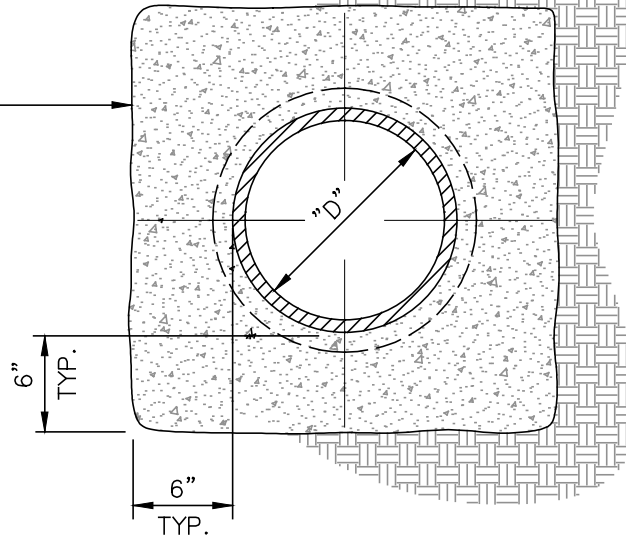
*** NOTE:**

USE (8) NO. 4 LONGITUDINAL
BARS EQUALLY SPACED FOR
PIPES LARGER THAN 15" DIA.



REINFORCED CONCRETE ENCASEMENT

CLASS "B" CONCRETE
(3500 PSI) GREEN
IN COLOR



CLASS "B" CONCRETE ENCASEMENT

NOTES:

1. ALL REBARS SHALL BE FABRICATED AND PLACED IN POSITION PER A.C.I. SPECIFICATIONS.
2. PROVIDE FLEXIBLE JOINTS AT EACH END OF CONCRETE ENCASEMENT, WITHIN 12" FROM EACH END.
3. EXPANSION JOINTS SHALL BE CONSTRUCTED AT EVERY 50'± INTERVAL FOR THE CONCRETE ENCASEMENT: EACH JOINT SHALL COINCIDE WITH THE BELL AND SPIGOT JOINT OF THE PIPE.
4. CONTRACTOR SHALL TAKE ANY PRECAUTIONARY MEASURES NECESSARY TO PREVENT PIPE FROM FLOTATION.
5. PLACE GREEN DYE ON TOP OF CONCRETE.

JURUPA COMMUNITY SERVICES DISTRICT

SCALE: NONE

DATE: SEPTEMBER 2020

APPROVED BY:
Sinnaro Yos
Sinnaro Yos, P.E. C68607

**TYPICAL SEWER CONCRETE
ENCASEMENT DETAIL**

ALBERT A. WEBB ASSOCIATES
CONSULTING ENGINEERS

RIVERSIDE

CALIFORNIA

DRAWING NO.

S-4

W.O. 19-0248

REV.