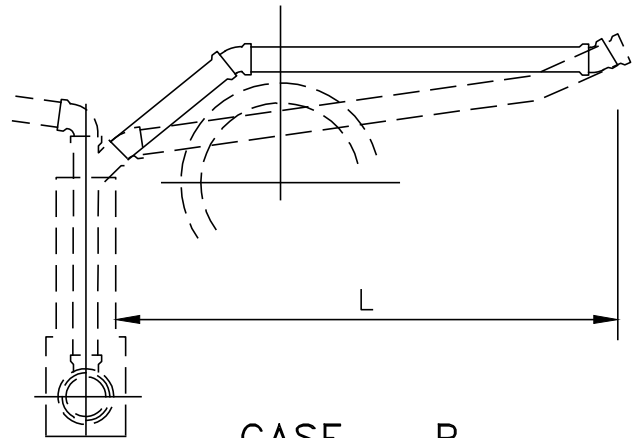
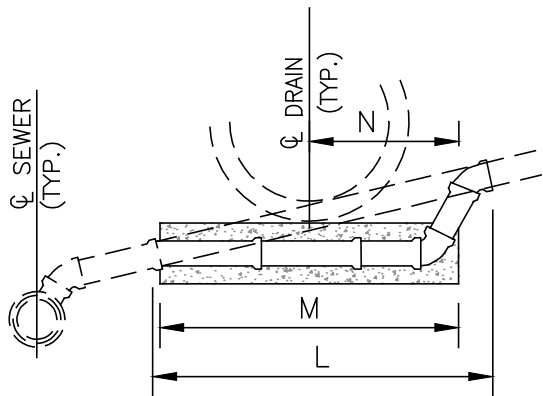


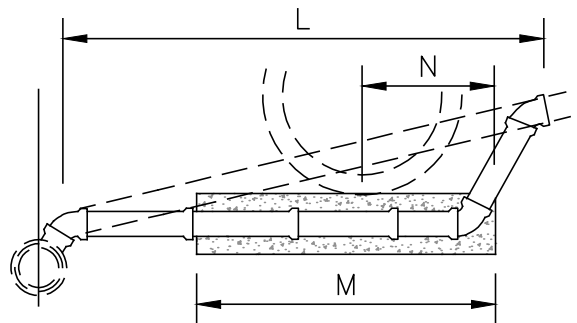
CASE - A



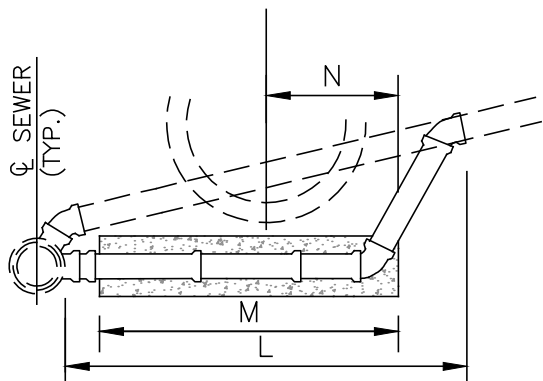
CASE - B



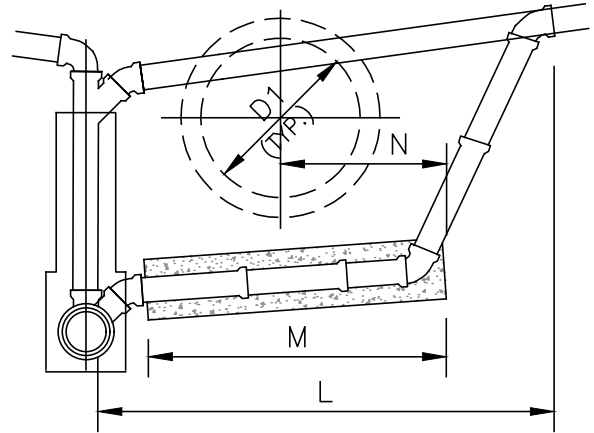
CASE - C



CASE - D



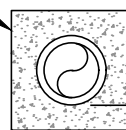
CASE - E



CASE - F

SEE SHEET 2 OF 2 FOR
NOTES AND DESCRIPTION OF
CASES

CLASS "A"
CONC.
(4000 PSI)



CROSS SECTION OF CONCRETE
REINFORCEMENT FOR PIPE,
SEE J.C.S.D. STD. NO. S-4

6" (TYP)

JURUPA COMMUNITY SERVICES DISTRICT

SCALE: NONE

DATE: SEPTEMBER 2020

APPROVED BY:

Sinnaro Yos, P.E. C68607

REMODELING DETAILS FOR SEWER LATERALS

ALBERT A. WEBB ASSOCIATES
CONSULTING ENGINEERS

RIVERSIDE

DRAWING NO.

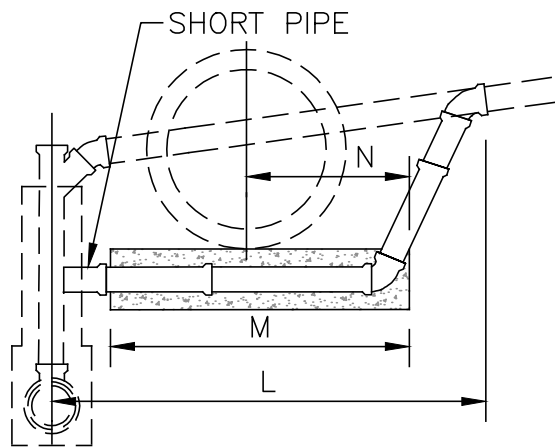
S-17

SHEET 1 OF 2

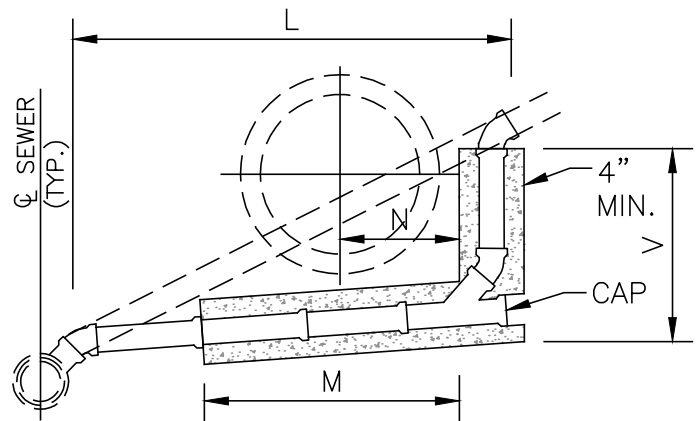
W.O. 19-0248

CALIFORNIA

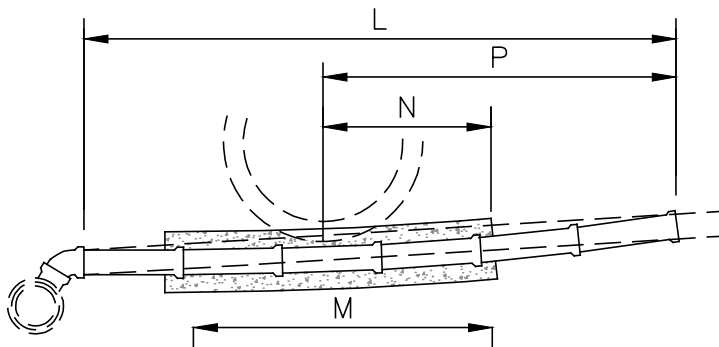
REV.



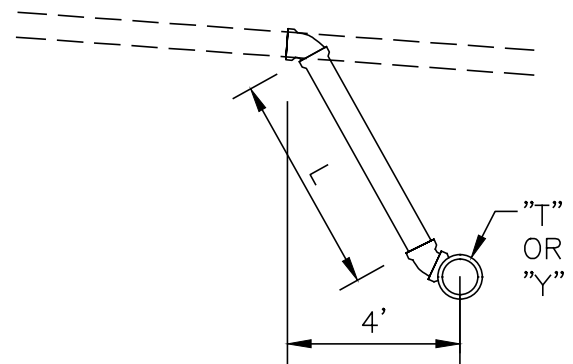
CASE - G



CASE - H



CASE - K



CASE - R

NOTES:

1. THESE DETAILS DO NOT APPLY TO CONFLICTS BETWEEN SEWER LATERALS AND WATERLINES.
2. EXISTING PIPES ARE INDICATED BY BROKEN LINES.
3. PIPES TO BE CONSTRUCTED ARE INDICATED BY SOLID LINES.
4. ALL PIPE DIAMETERS SHALL MATCH EXISTING LATERAL.
5. ALL BENDS SHALL BE 1/8 BENDS UNLESS SPECIFIED OTHERWISE.
6. CONCRETE REINFORCEMENT, CROSS SECTION SHOWN ON SHEET 1, SHALL BE USED ON ALL PIPES TO BE CONSTRUCTED UNDER STORM DRAIN, TOP PORTION WITHIN 1" OF STORM DRAIN TO BE OMITTED.
7. DIMENSIONS:
 L - IS SPECIFIED ON PLAN AS THE AVERAGE TOTAL LENGTH.
 M - (d, + 24") LESS ENOUGH TO AVOID A FRACTION OF A FOOT.
 N - 1/2 M, EXCEPT WHERE SPECIFIED OTHERWISE ON PLAN.
 P - (CASE K) IS SPECIFIED WHERE L DOES NOT EXTEND TO THE BEND.
 V - (CASE H) IS SPECIFIED TO THE NEAREST FOOT AND IN SUMMARY IS ITEMIZED AS CONCRETE REINFORCEMENT FOR 6" PIPE.
8. NEW CONNECTION TO MAIN LINE SHALL CONFORM TO STD. DWG. S-5.

CASES:

- A. ABOVE DRAIN TO HOUSE CONNECTION-SPECIALS REQUIRED: 2 1/8 BENDS.
- B. ABOVE DRAIN TO CHIMNEY - 2 1/8 BENDS.
- C. BELOW DRAIN TO HOUSE CONNECTION-2 1/8 BENDS.
- D. BELOW DRAIN TO "Y" - 3 1/8 BENDS.
- E. BELOW DRAIN TO FLAT SADDLE - 3 1/8 BENDS, 1 SADDLE.
- F. BELOW DRAIN TO SADDLE - 3 1/8 BENDS, 1 SADDLE.
- G. BELOW DRAIN TO CHIMNEY - 2 1/8 BENDS.
- H. BELOW DRAIN TO "Y" - 3 1/8 BENDS, 1 "Y".
- K. BELOW DRAIN TO HOUSE CONNECTION, SLOPE SLIGHTLY MODIFIED.
- R. CONNECTION WITH NEW SEWER - 2 1/8 BENDS WITH "Y" - 14" 1/8 BEND WITH "T".

JURUPA COMMUNITY SERVICES DISTRICT

REMODELING DETAILS FOR SEWER LATERALS

SCALE: NONE

DATE: SEPTEMBER 2020

APPROVED BY:

Sinnaro Yos, P.E. C68607

ALBERT A. WEBB ASSOCIATES
CONSULTING ENGINEERS

RIVERSIDE

CALIFORNIA

DRAWING NO.

S-17

SHEET 2 OF 2

W.O. 19-0248

REV.