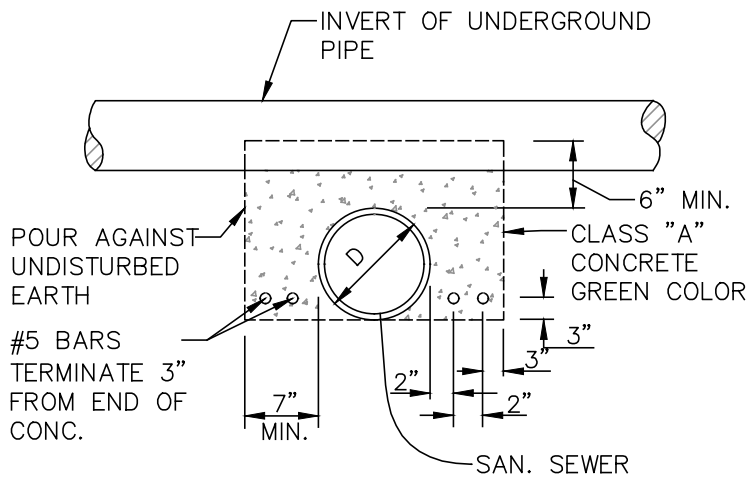


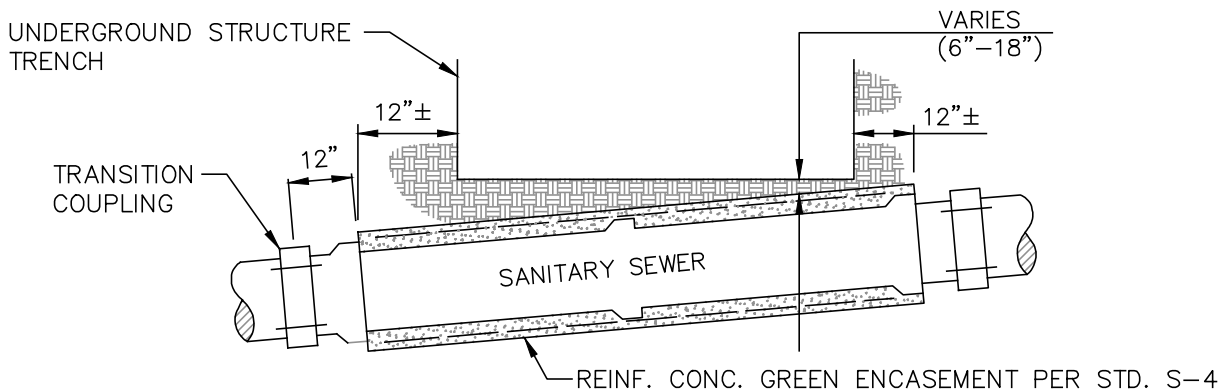
**CASE 1**



**SECTION C-C**

**CASE 1 NOTES:**

1. WHERE CLEARANCE BETWEEN BOTTOM OF UNDERGROUND PIPE OR STRUCTURE AND TOP OF SANITARY SEWER IS LESS THAN 6" CASE 1 APPLIES.
2. SANITARY SEWER SHALL BE IN CONFORMANCE WITH DISTRICT SPECIFICATIONS AS FOLLOWS:
  - A. SDR 35 FOR UP TO 8'FT.
  - B. SDR 26 FOR UP TO 15'FT.
  - C. HDPE WITH EITHER SDR WITH NO JOINTS WITH INNER BEAD REMOVED.



**CASE 2**

**CASE 2 NOTE:**

1. WHERE CLEARANCE BETWEEN BOTTOM OF UNDERGROUND PIPE OR STRUCTURE AND TOP OF SEWER IS 6" TO 18", CASE 2 APPLIES.

**GENERAL NOTES:**

1. THIS STANDARD APPLIES TO LOADING PIPE PROTECTION CASES.
2. NO JOINTS UNDER CROSSINGS AND STRUCTURES.

**JURUPA COMMUNITY SERVICES DISTRICT**

SCALE: NONE	<b>SEWER PROTECTION DETAIL</b>	DRAWING NO.
DATE: SEPTEMBER 2020		<b>S-16</b>
APPROVED BY: <i>Sinnaro Yos</i>	ALBERT A. WEBB ASSOCIATES CONSULTING ENGINEERS	
Sinnaro Yos, P.E. C68607	RIVERSIDE CALIFORNIA	W.O. 19-0248