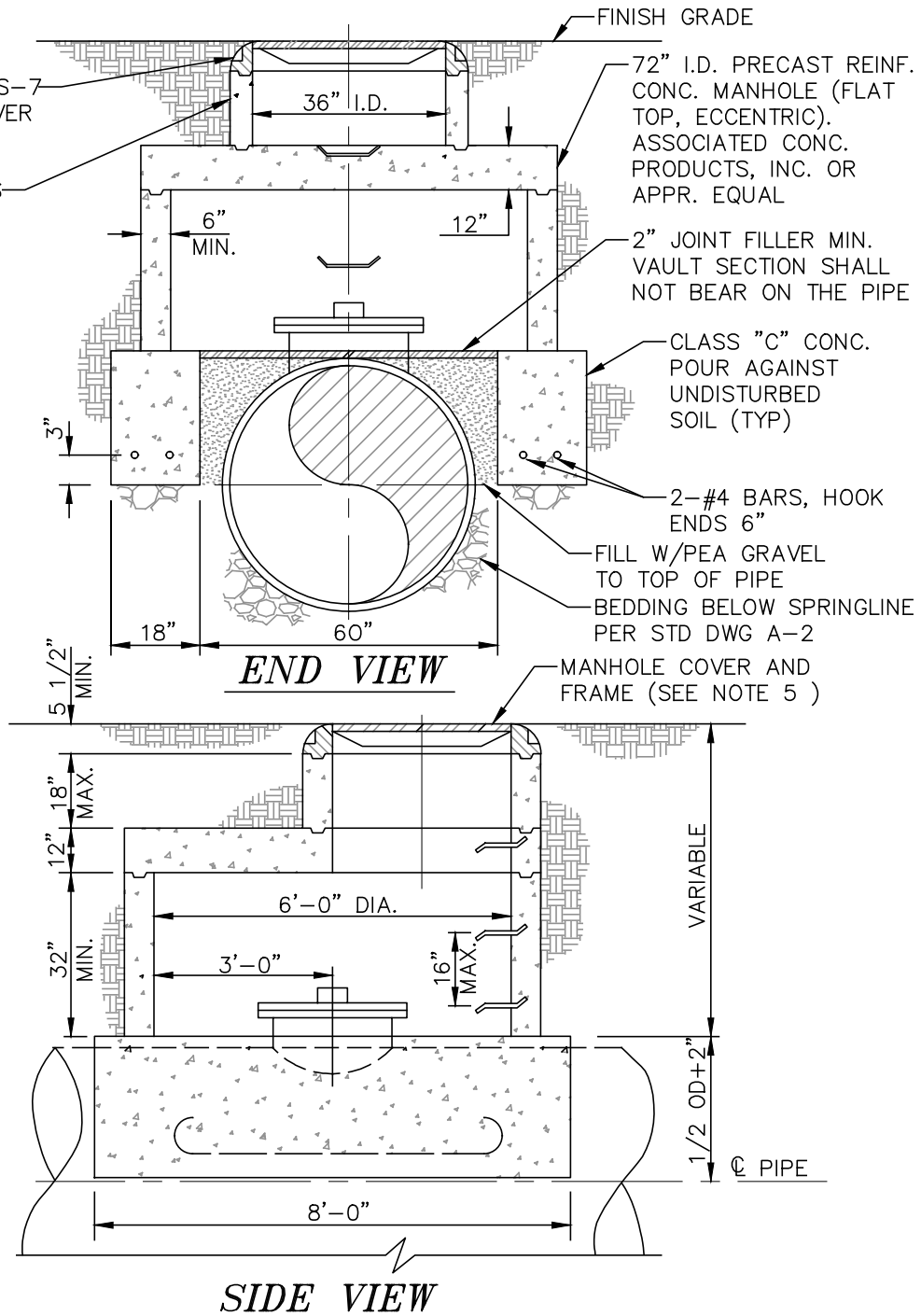


REFER TO STD. NO. S-7
FOR FRAME AND COVER
SETTING CONDITIONS

GRADE RINGS



END VIEW

SIDE VIEW

NOTES:

1. WHEN MANHOLE IS IN PAVED AREA, MANHOLE FRAME SHALL BE SET AFTER ADJACENT PAVEMENT HAS BEEN PLACED. TOP SHALL BE FLUSH WITH PAVEMENT.
2. ALL JOINTS SHALL BE SEALED WITH APPROVED JOINT SEALANT.
3. VAULT SHALL BE DESIGNED FOR H-20, S-16 LOADING.
4. ALHAMBRA FOUNDARY TRAFFIC MANHOLE FRAME AND COVER NO. A-1251 OR APPROVED EQUAL. WITH LETTERS J.C.S.D. CAST IN TOP OF COVER AND FRAME PAINTED WITH PRIMER AND TWO (2) COATS OF PAINT PER DISTRICT SPECIFICATIONS

JURUPA COMMUNITY SERVICES DISTRICT

SCALE: NONE		MANHOLE DETAIL FOR MANWAYS	DRAWING NO.
DATE: SEPTEMBER 2020			I-2
REV.	APPROVED BY: <i>Sinnaro Yos</i>	ALBERT A. WEBB ASSOCIATES CONSULTING ENGINEERS	
	Sinnaro Yos, P.E. C68607		RIVERSIDE CALIFORNIA W.O. 19-0248