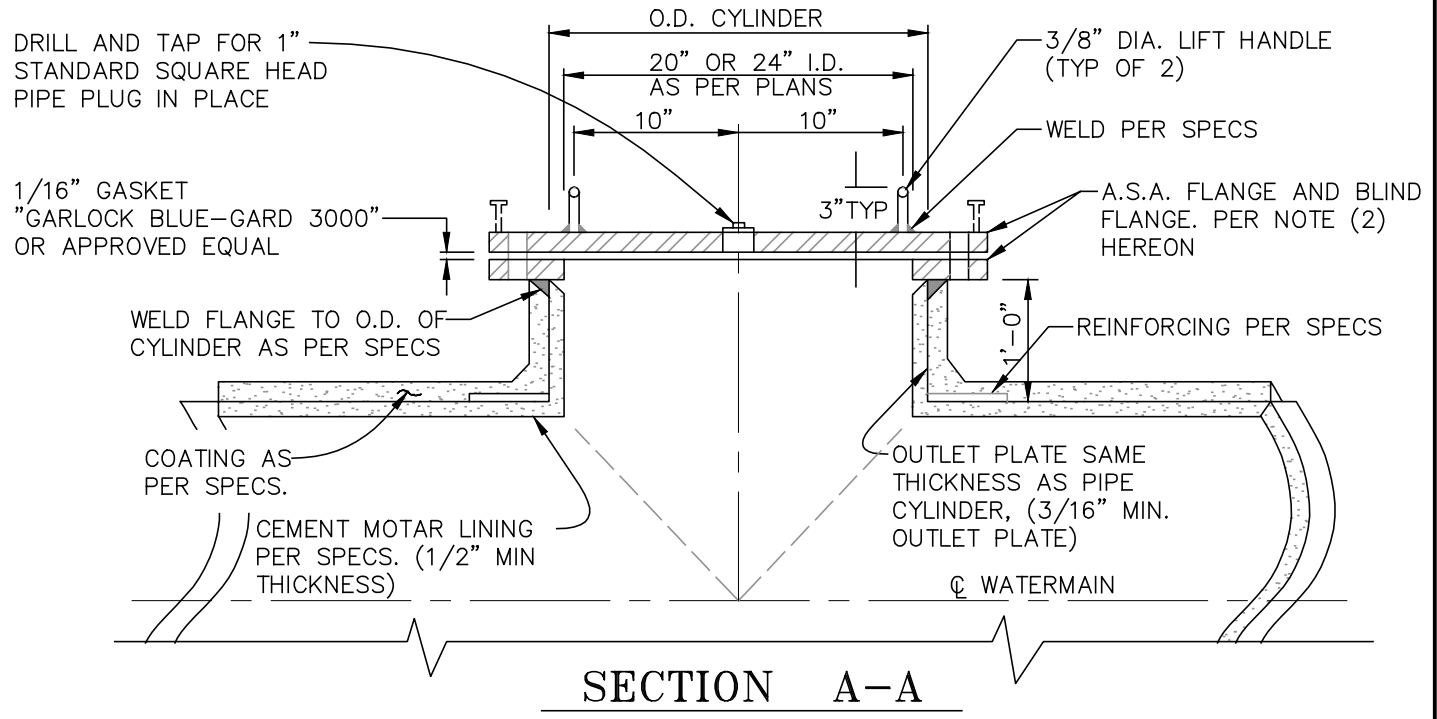


NOTES:

1. PAINT ALL EXPOSED INTERIOR AND EXTERIOR METAL SURFACES OF FLANGES EXCEPT GASKET SURFACES WITH PRIMER.
2. FLANGE AND BLIND FLANGE, SHALL BE A.S.A. 150lb. F.S.S.O. F/F FLANGES.
3. LUBRICATE ALL BOLT THREADS WITH GRAPHITE.



JURUPA COMMUNITY SERVICES DISTRICT

SCALE: NONE	MANWAY INSTALLATION	DRAWING NO. I-1
APPROVED BY: <i>Sinnaro Yos</i> Sinnaro Yos, P.E. C68607	ALBERT A. WEBB ASSOCIATES CONSULTING ENGINEERS	
RIVERSIDE	CALIFORNIA	W.O. 19-0248