

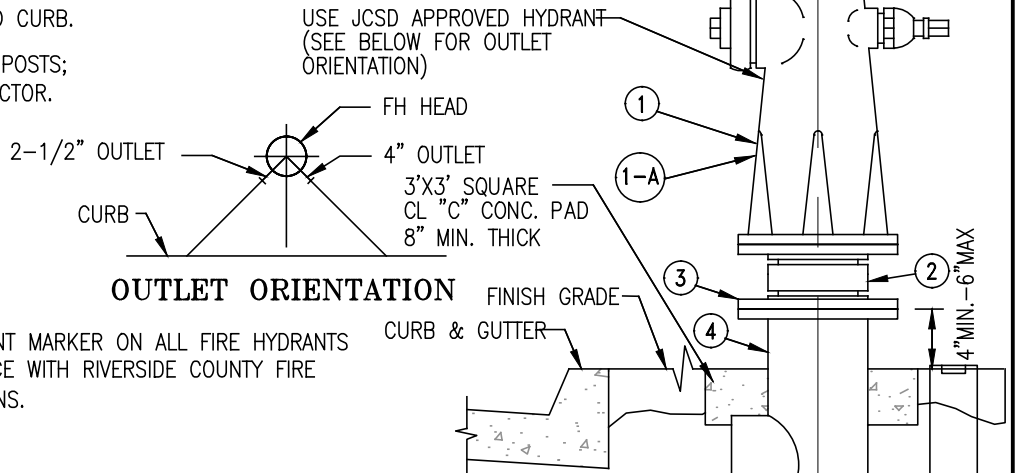
1. FIRE HYDRANT SHALL BE PLACED:
 - A. 2'-6" BEHIND THE CURB FLOWLINE TO THE FH CENTERLINE WHEN THE SIDEWALK IS ADJACENT TO R/W OR MEANDERING
 - B. 7'-6" BEHIND THE CURB FLOWLINE TO FH CENTERLINE WHEN THE WIDTH OF SIDEWALK IS 6' FROM FLOWLINE
 - C. 2'-6" BEHIND THE CURB FLOWLINE TO THE FH CENTERLINE WHEN NO SIDEWALK IS PROPOSED OR EXISTING AND CURB AND GUTTER IS EXISTING
 - D. 2'-0" FROM PROPERTY LINE WITH NO CURB.

2. ALL FIRE HYDRANTS SHALL HAVE GUARD POSTS; SIZE AND PLACEMENT BY J.C.S.D. INSPECTOR. (LOCATE 3' CLEAR (MIN.) FROM F.H.).

3. FIRE HYDRANT CAP AND TOP COLOR;

1500 GPM +	=	LIGHT BLUE
1000-1499 GPM	=	GREEN
500-999 GPM	=	YELLOW
0-499 GPM	=	RED

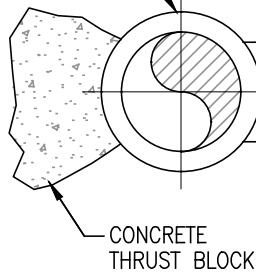
4. INSTALL BLUE RETROREFLECTIVE PAVEMENT MARKER ON ALL FIRE HYDRANTS (TWO AT INTERSECTIONS) IN ACCORDANCE WITH RIVERSIDE COUNTY FIRE DEPARTMENT LOCATION RECOMMENDATIONS.



GATE VALVE PER JCSD STD. NO. B-1

6" PO OR MJ x FLANGED GATE VALVE

DUCTILE IRON TEE



CONCRETE THRUST BLOCK

VARIES (3.0 FT. MIN.)
RESTRAIN ALL JOINTS

6" PVC (AWWA C-900) WITH LOCATOR WIRE PER DISTRICTS STDS

CONCRETE SUPPORT SHALL BE POURED TO AVOID INTERFERENCE WITH BOLTED CONNECTIONS

J & R CONCRETE VALVE BOX V1-R W/ CI COVER STAMPED "WATER" TO ENCLOSE TRACER WIRE

CONCRETE THRUST BLOCK

ITEM	DESCRIPTION
①	STANDARD FIRE HYDRANT, HEAD & FLUTED SPOOL COMPLETE. 1-4" STEAMER HOSE OUTLET & 1-2 1/2 HOSE OUTLET, 6 HOLE PATTERN, JAMES JONES MODEL J-3700, W/BRONZE OR PLASTIC CAPS AND CHAIN.
* ①-A	SUPER FIRE HYDRANT, COMPLETE; 1-4" STEAMER HOSE OUTLET AND 2-2 1/2 HOSE OUTLETS, 8 HOLE PATTERN, JAMES JONES MODEL J-3765, W/BRONZE OR PLASTIC CAPS AND CHAIN.
②	6" DIA. C.I. BREAK-OFF SPOOL, 6" LONG, ONE END FLG'D. TO MATE W/6" A.S.A. 150# SLIP-ON FLG., OTHER END FLG'D. TO MATE HYDRANT SPOOL. (SHOP FABRICATED).
③	6" A.S.A. 150# SLIP-ON FLG. TO MATE BREAK-OFF SPOOL. SHIP LOOSE FOR FIELD WELDING.
④	6" DIA. CLOW LBIW # 400A BREAK-OFF CHECK VALVE.

* UNLESS A "SUPER" FIRE HYDRANT IS DESIGNATED ON THE DRAWINGS, FIRE HYDRANT SHALL BE "STANDARD" PER ① ITEM WHERE A "SUPER" FIRE HYDRANT IS SPECIFIED, HYDRANT SHALL BE PER ITEM. ①-A

JURUPA COMMUNITY SERVICES DISTRICT

SCALE: NONE	TYPICAL 6" FIRE HYDRANT INSTALLATION - PVC, DI PIPE	DRAWING NO. G-2
DATE: SEPTEMBER 2020	ALBERT A. WEBB ASSOCIATES CONSULTING ENGINEERS	G-2A
APPROVED BY: Sinnaro Yos, P.E. C68607	RIVERSIDE CALIFORNIA	W.O. 19-0248