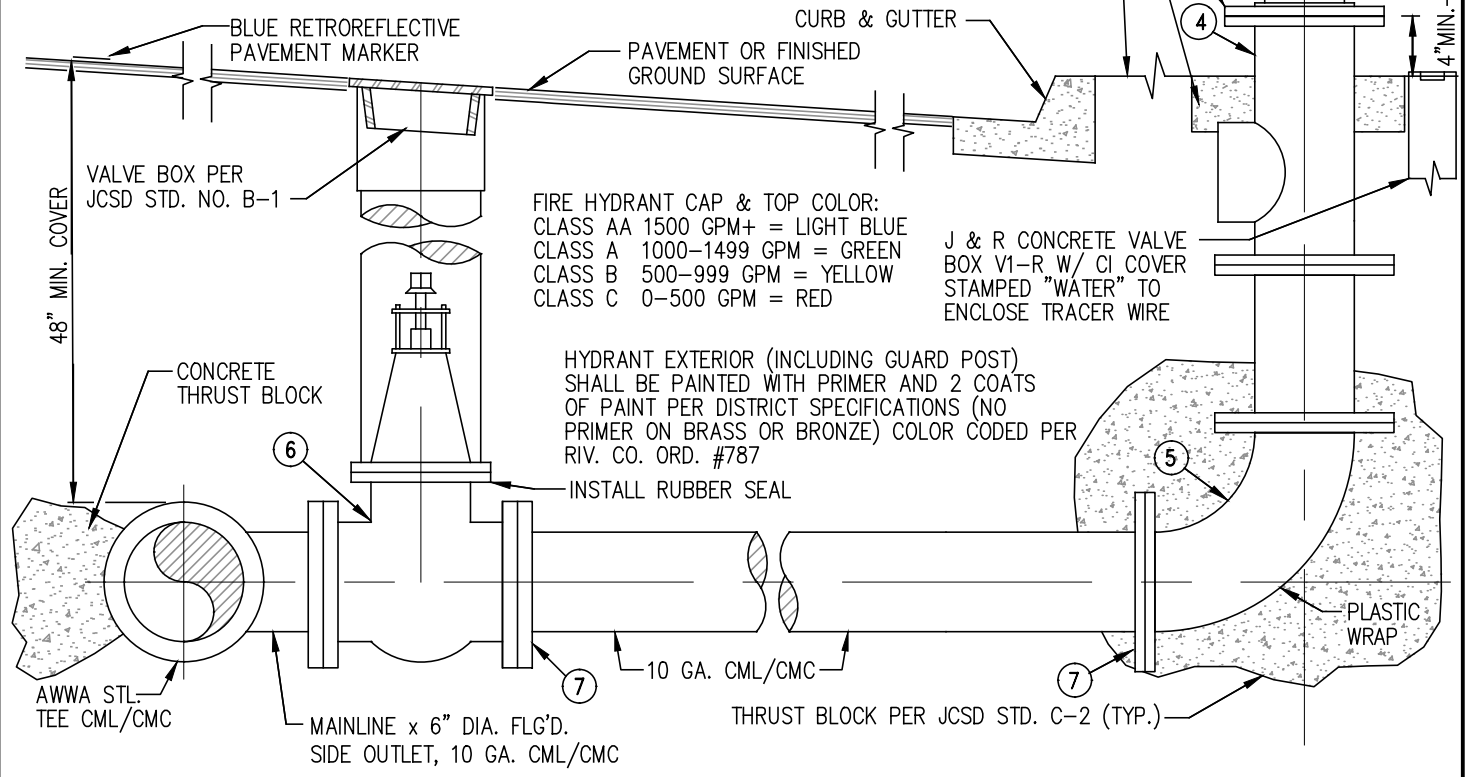


1. FIRE HYDRANT SHALL BE PLACED:
 - A. 2'-6" BEHIND THE CURB FLOWLINE TO THE FH CENTERLINE WHEN THE SIDEWALK IS ADJACENT TO R/W OR MEANDERING
 - B. 7'-6" BEHIND THE CURB FLOWLINE TO FH CENTERLINE WHEN THE WIDTH OF SIDEWALK IS 6' FROM FLOWLINE
 - C. 2'-6" BEHIND THE CURB FLOWLINE TO THE FH CENTERLINE WHEN NO SIDEWALK IS PROPOSED OR EXISTING AND CURB AND GUTTER IS EXISTING
 - D. 2'-0" FROM PROPERTY LINE WITH NO CURB.
2. ALL FIRE HYDRANTS SHALL HAVE GUARD POSTS; SIZE AND PLACEMENT BY J.C.S.D. INSPECTOR (LOCATE 3' CLEAR (MIN.) FROM F.H.).
3. FIRE HYDRANT OUTLET ORIENTATION SHALL BE PER RIV. CO. ORD. #787.
4. INSTALL BLUE RETROREFLECTIVE PAVEMENT MARKER ON ALL FIRE HYDRANTS (TWO AT INTERSECTIONS) IN ACCORDANCE WITH RIVERSIDE COUNTY FIRE DEPT. LOCATION RECOMMENDATIONS.



* ITEM	DESCRIPTION
①	STANDARD FIRE HYDRANT, HEAD & FLUTED SPOOL COMPLETE. 1-4" STEAMER HOSE OUTLET & 1-2 1/2" HOSE OUTLET. 6 HOLE PATTERN, JAMES JONES MODEL J-3700, W/BRONZE OR PLASTIC PLASTIC CAPS & CHAIN.
①A	SUPER FIRE HYDRANT, COMPLETE; 1-4" STEAMER HOSE OUTLET AND 2-2 1/2" HOSE OUTLET & 2-2 1/2" HOSE OUTLETS, 8 HOLE PATTERN, JAMES JONES MODEL J-3765, W/BRONZE OR PLASTIC CAPS AND CHAIN.
②	6" DIA. C.I. BREAK-OFF EXTENSION RISER, 6" LONG, ONE END FLG'D. TO MATE W/6" A.S.A. 150# SLIP-ON FLG., OTHER END FLG'D. TO MATE HYDRANT SPOOL.
③	6" A.S.A. 150# SLIP-ON FLG. TO MATE BREAK-OFF SPOOL. SHIP LOOSE FOR FIELD WELDING.
④	6" DIA. CLOW LBIW #400A BREAK-OFF CHECK VALVE.
⑤	6" DIA. STD. WT. LONG RADIUS CML/CMC 90° BEND
⑥	6" F x F R.S. GATE VALVE PER STD. NO. B-1.
⑦	6" A.S.A. 150# SLIP-ON FLG. TO MATE GATE VALVE. SHIP LOOSE FOR FIELD WELDING.

* UNLESS A "SUPER" FIRE HYDRANT IS DESIGNATED ON THE DRAWINGS, FIRE HYDRANT SHALL BE "STANDARD" PER ITEM. ① WHERE A "SUPER" FIRE HYDRANT IS SPECIFIED, HYDRANT SHALL BE PER ITEM. ①A

JURUPA COMMUNITY SERVICES DISTRICT

SCALE: NONE	TYPICAL 6" FIRE HYDRANT INSTALLATION	DRAWING NO. G-1
DATE: SEPTEMBER 2020	ALBERT A. WEBB ASSOCIATES CONSULTING ENGINEERS	G-1A
REV. APPROVED BY: <i>Sinnaro Yos</i> Sinnaro Yos, P.E. C68607	RIVERSIDE CALIFORNIA	W.O. 19-0248