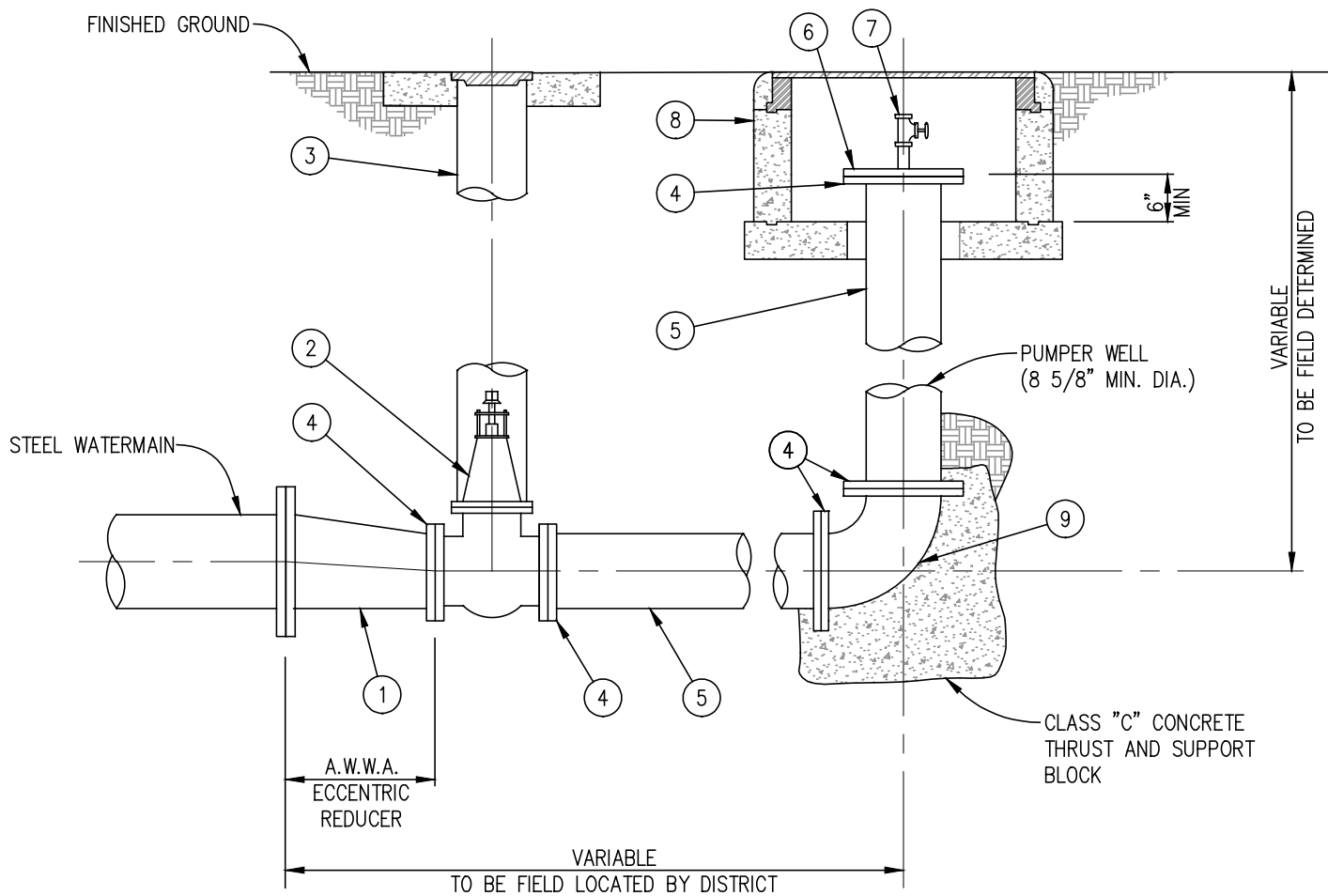


NOTE: DISTRICT DIRECTED USE ONLY



ITEM	DESCRIPTION
①	LINE SIZE x 4" DIA. A.W.W.A. FLGD. REDUCER, 10 GA., CML/CMC
②	4" GATE VALVE PER STD. B-1
③	VALVE BOX INSTALLATION PER STD. B-1
④	A.S.A. 150 LB. SLIP-ON FLANGES (SHIP LOOSE FOR FIELD WELDING)
⑤	WELDED STEEL PIPE, 10 GA. MIN., CML/CMC
⑥	A.S.A. 150 LB. REDUCING SCR. COMPANION FLANGE (2" x 9")
⑦	2-1/2" DIA. SCREWED FIRE PROTECTION G.V. I.P.T. x N.S.T. W/HOSE CAP & SAFETY CHAIN, ALL BRONZE, NRS, W/MAL. IRON HAND WHEEL, 175 PSI MWWP NIBCO MODEL NO T-103-HC OR APPR. EQ.
⑧	TYPICAL BLOW-OFF MANHOLE PER STD. I-3
⑨	4" DIA. STD. WT. LONG RADIUS CML/CMC 90° BEND

JURUPA COMMUNITY SERVICES DISTRICT

SCALE: NONE	4" END OF LINE BLOW-OFF INSTALLATION	DRAWING NO.
DATE: SEPTEMBER 2020		F-4
APPROVED BY: <i>Sinnaro Yos</i>	ALBERT A. WEBB ASSOCIATES CONSULTING ENGINEERS	
Sinnaro Yos, P.E. C68607	RIVERSIDE CALIFORNIA	W.O. 19-0248