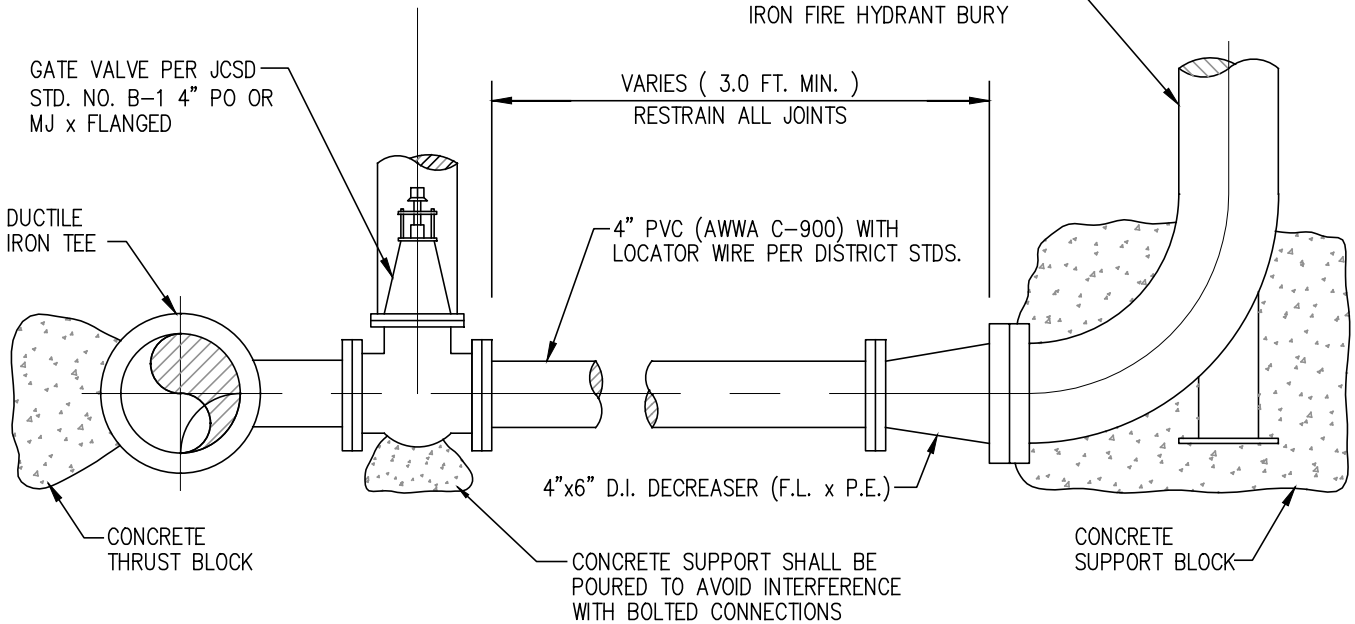
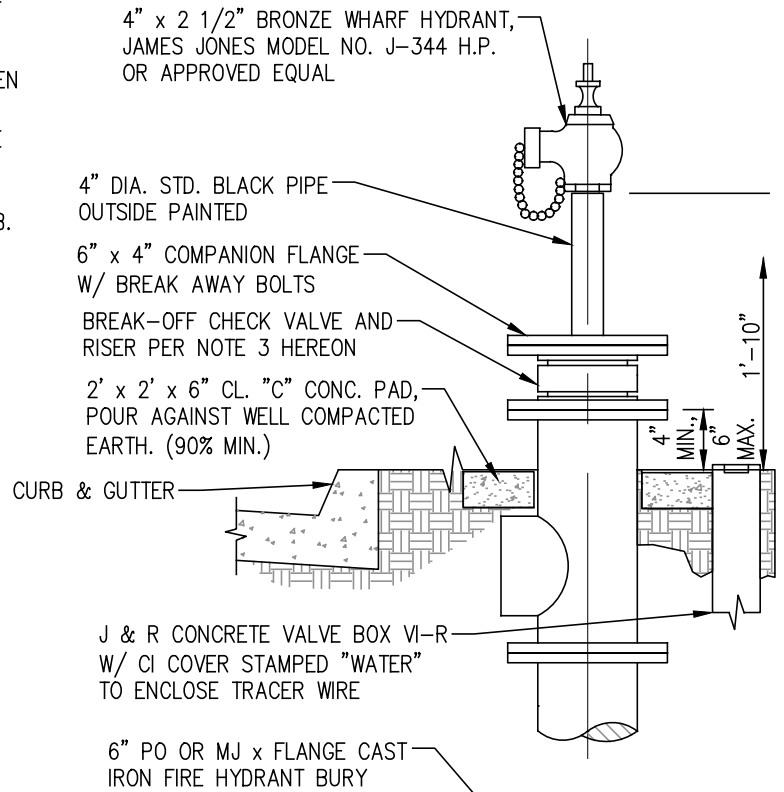


NOTE:

1. BLOW-OFF SHALL BE PLACED:
 - A. 2'-6" BEHIND THE CURB FLOWLINE TO THE FH CENTERLINE WHEN THE SIDEWALK IS ADJACENT TO R/W OR MEANDERING
 - B. 7'-6" BEHIND THE CURB FLOWLINE TO FH CENTERLINE WHEN THE WIDTH OF SIDEWALK IS 6' FROM FLOWLINE
 - C. 2'-6" BEHIND THE CURB FLOWLINE TO THE FH CENTERLINE WHEN NO SIDEWALK IS PROPOSED OR EXISTING AND CURB AND GUTTER IS EXISTING
 - D. 2'-0" FROM THE PROPERTY LINE WHEN THERE IS NO CURB.
2. ALL BLOW-OFFS SHALL HAVE GUARD POSTS, SIZE AND PLACEMENT TO BE DETERMINED BY J.C.S.D. INSPECTOR.
3. 6" DIA. CLOW LBI 400A BREAK-OFF CHECK VALVE AND 6" DIA. C.I. BREAK-OFF EXTENSION RISER, 6" LONG ON END FLG'D TO MATE W/ 6" A.S.A. 150# FLANGE, OTHER END FLG'D TO MATE WITH COMPANION FLANGE.



EXTERIOR PAINTED W/ PRIMER AND TWO (2) COATS OF PAINT PER DISTRICT SPECIFICATIONS (NO PRIMER ON BRASS OR BRONZE).

JURUPA COMMUNITY SERVICES DISTRICT

SCALE: NONE

DATE: SEPTEMBER 2020

APPROVED BY:

 Sinnaro Yos, P.E. C68607

4" BLOW-OFF ASSEMBLY (PVC PIPE)

ALBERT A. WEBB ASSOCIATES
 CONSULTING ENGINEERS

RIVERSIDE

CALIFORNIA

DRAWING NO.

F-1A

W.O. 19-0248

REV.