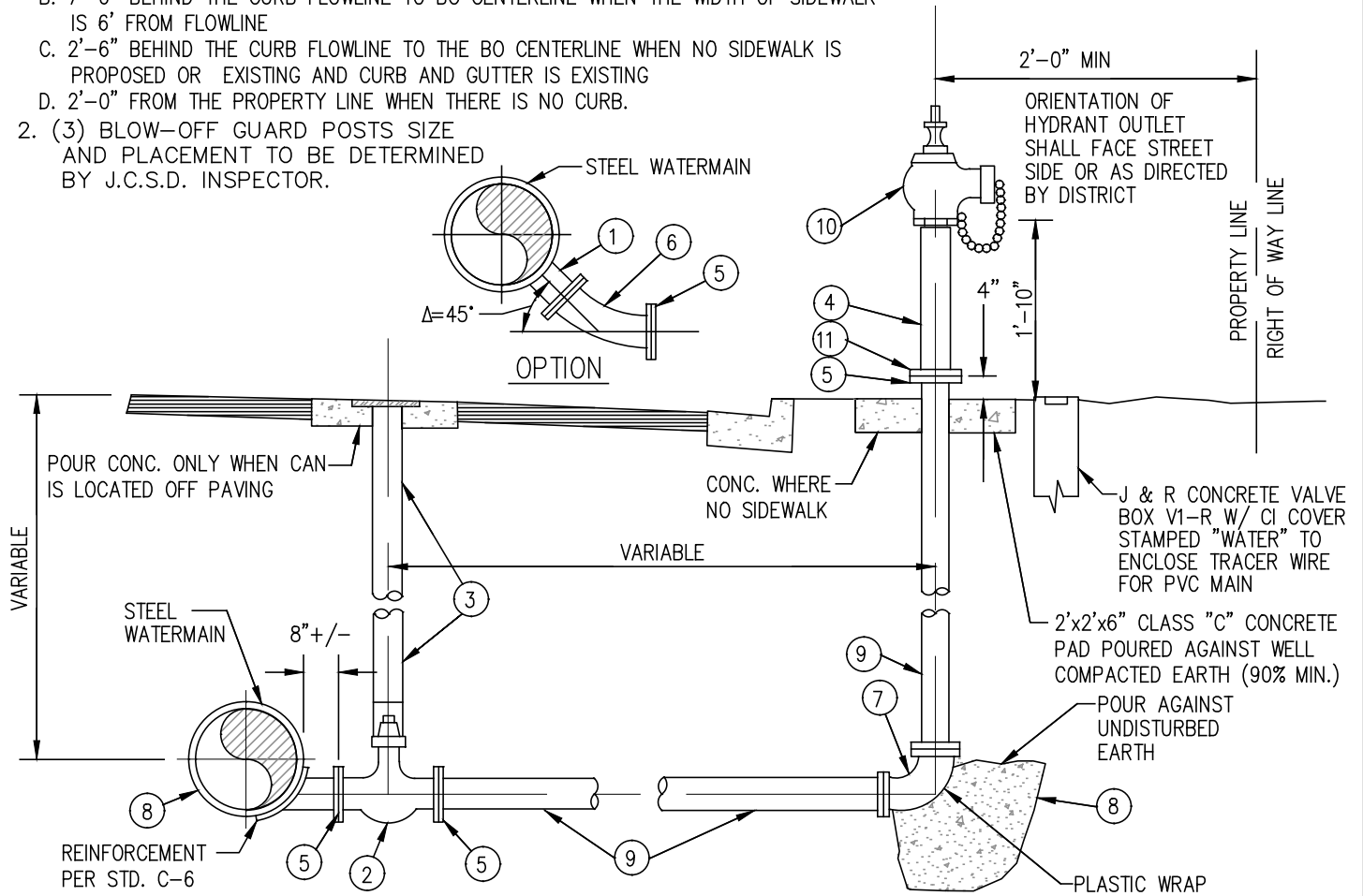


NOTE

1. BLOW-OFF SHALL BE PLACED:
 - A. 2'-6" BEHIND THE CURB FLOWLINE TO THE BO CENTERLINE WHEN THE SIDEWALK IS ADJACENT TO R/W OR MEANDERING
 - B. 7'-6" BEHIND THE CURB FLOWLINE TO BO CENTERLINE WHEN THE WIDTH OF SIDEWALK IS 6' FROM FLOWLINE
 - C. 2'-6" BEHIND THE CURB FLOWLINE TO THE BO CENTERLINE WHEN NO SIDEWALK IS PROPOSED OR EXISTING AND CURB AND GUTTER IS EXISTING
 - D. 2'-0" FROM THE PROPERTY LINE WHEN THERE IS NO CURB.
2. (3) BLOW-OFF GUARD POSTS SIZE AND PLACEMENT TO BE DETERMINED BY J.C.S.D. INSPECTOR.

EXTERIOR PAINTED W/PRIMER AND TWO (2) COATS PAINT PER DISTRICT SPECIFICATIONS (NO PRIMER ON BRASS OR BRONZE)



ITEM	DESCRIPTION
①	4-1/2" O.D. X 10 GA. CML/CMC PER D-6.
②	4" DIA. A.W.W.A. C-509 (LATEST) FLG'D. RESILIENT SEAT GATE VALVE, 200WOG, I.B.B.M., N.R.S., "O" RING SEAL, 2" SQ. OPERATING NUT, PER DISTRICT STD. DWG. B-1.
③	STANDARD VALVE BOX INSTALLATION PER STD B-1.
④	4" DIA STD BLACK NIPPLE, OUTSIDE PAINTED.
⑤	4" DIA. 150 LB. SLIP-ON FLANGE.
⑥	4" DIA. FLGD. 4 PC A.W.W.A. 10 GA., 45° BEND, LINED AND COATED SAME AS MAIN.
⑦	4" DIA. FLG'D. STD. WEIGHT 90° BEND
⑧	THRUST BLOCK PER STD. C-2.
⑨	4" DIA. CML/CMC, 10 GA. W.S.P.
⑩	4" x 2-1/2" BRONZE WHARF HYDRANT, JAMES JONES MODEL NO. J-344 H.P. OR APPROVED EQUAL.
⑪	A.S.A. 150 LB. SCREWED COMPANION FLANGE.

JURUPA COMMUNITY SERVICES DISTRICT

SCALE: NONE

DATE: SEPTEMBER 2020

APPROVED BY: *Sinnaro Yos*
Sinnaro Yos, P.E. C68607

4" DIA. BLOW-OFF INSTALLATION

ALBERT A. WEBB ASSOCIATES
CONSULTING ENGINEERS

RIVERSIDE

CALIFORNIA

DRAWING NO.

F-1

W.O. 19-0248

REV.