

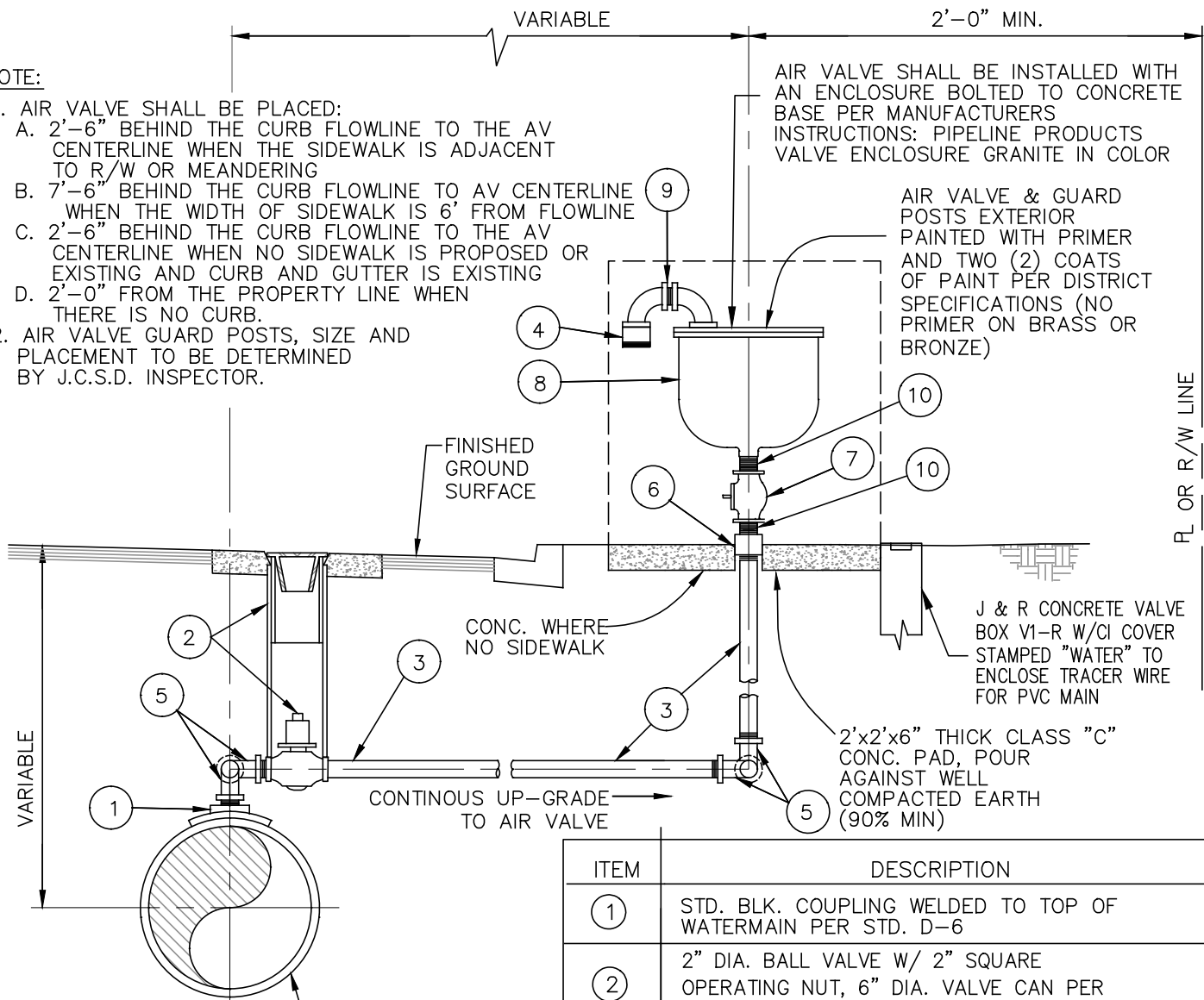
NOTE:

1. AIR VALVE SHALL BE PLACED:
 - A. 2'-6" BEHIND THE CURB FLOWLINE TO THE AV CENTERLINE WHEN THE SIDEWALK IS ADJACENT TO R/W OR MEANDERING
 - B. 7'-6" BEHIND THE CURB FLOWLINE TO AV CENTERLINE WHEN THE WIDTH OF SIDEWALK IS 6' FROM FLOWLINE
 - C. 2'-6" BEHIND THE CURB FLOWLINE TO THE AV CENTERLINE WHEN NO SIDEWALK IS PROPOSED OR EXISTING AND CURB AND GUTTER IS EXISTING
 - D. 2'-0" FROM THE PROPERTY LINE WHEN THERE IS NO CURB.
2. AIR VALVE GUARD POSTS, SIZE AND PLACEMENT TO BE DETERMINED BY J.C.S.D. INSPECTOR.

AIR VALVE SHALL BE INSTALLED WITH AN ENCLOSURE BOLTED TO CONCRETE BASE PER MANUFACTURERS INSTRUCTIONS: PIPELINE PRODUCTS VALVE ENCLOSURE GRANITE IN COLOR

AIR VALVE & GUARD POSTS EXTERIOR PAINTED WITH PRIMER AND TWO (2) COATS OF PAINT PER DISTRICT SPECIFICATIONS (NO PRIMER ON BRASS OR BRONZE)

FL OR R/W LINE



STEEL WATERMAIN FOR PVC WATERMAINS USE BRONZE SERVICE SADDLE WITH DOUBLE STAINLESS STEEL STRAPS PER SPECIFICATIONS

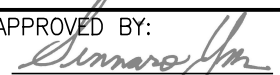
NOTE:

ALL PIPE, FITTINGS, AND VALVES SHALL BE SAME DIA. AS AIR VALVE INLET.

PIPE THREADS SHALL BE CLEAN AND SHARP AND SEALED WITH AN APPROVED JOINT COMPOUND.

ITEM	DESCRIPTION
①	STD. BLK. COUPLING WELDED TO TOP OF WATERMAIN PER STD. D-6
②	2" DIA. BALL VALVE W/ 2" SQUARE OPERATING NUT, 6" DIA. VALVE CAN PER STD. DWG. B-1
③	STD. WT. BRASS PIPE IN SLEEVE.
④	NORTHTOWN 10 MESH BUG SCREEN OR APPROVED EQUAL
⑤	TWO (2) STD. WT. BRASS 90° ELBOWS CONNECTED END-TO-END TO FORM A SWIVEL JOINT
⑥	EXTRA HEAVY BRASS COUPLING (4" LONG) AT SURFACE AND PARTIALLY RECESSED IN CONCRETE
⑦	BRASS BALL VALVE AS APPROVED BY DISTRICT
⑧	AIR RELEASE VALVE AS APPROVED BY DISTRICT
⑨	STD. BLK. 90° ST. ELBOW, 3" LONG STD. BLK. NIPPLE THREADED TWO ENDS, STD. BLK. 90° ELBOW, & 3" LONG STD. BLK. NIPPLE THREADED ONE END, ORIENTED TO CLEAR AIR VALVE BODY
⑩	EXTRA HEAVY BRASS PIPE NIPPLE THREADED BOTH ENDS 3"

JURUPA COMMUNITY SERVICES DISTRICT

SCALE: NONE	2" DIA. AIR VALVE INSTALLATION W/ BALL VALVE	DRAWING NO.
DATE: SEPTEMBER 2020	ALBERT A. WEBB ASSOCIATES CONSULTING ENGINEERS	E-1A
APPROVED BY:  Sinnaro Yos, P.E. C68607	RIVERSIDE CALIFORNIA	W.O. 19-0248

REV.