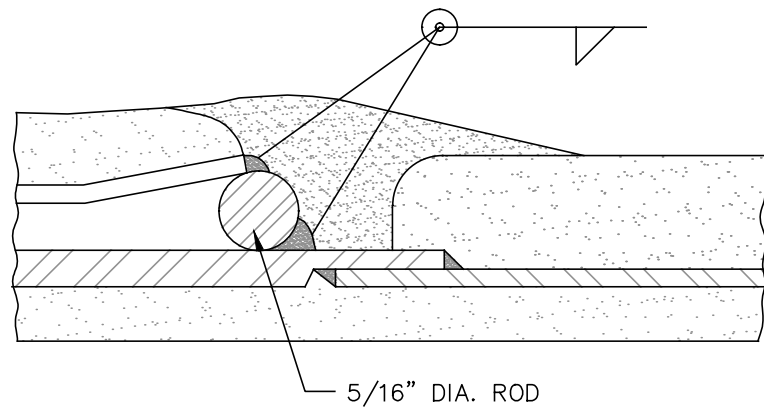


**RUBBER GASKET JOINT  
FORMED BELL & SPIGOT JOINT  
STEEL CYLINDER PIPE**



**WELDED JOINT DETAIL**  
(DOUBLE PASS, FULL WELD)

REFER TO STD. DWG. C-7 FOR ELECTRICAL CONTINUITY BONDING.

**JURUPA COMMUNITY SERVICES DISTRICT**

SCALE: NONE		<b>FORMED BELL &amp; SPIGOT RUBBER GASKET JOINT FOR CML &amp; CMC PIPE</b>	DRAWING NO.
DATE: SEPTEMBER 2020			<b>C-8</b>
REV.	APPROVED BY: <i>Sinnaro Yos</i>	ALBERT A. WEBB ASSOCIATES CONSULTING ENGINEERS	W.O. 19-0248
	Sinnaro Yos, P.E. C68607	RIVERSIDE CALIFORNIA	