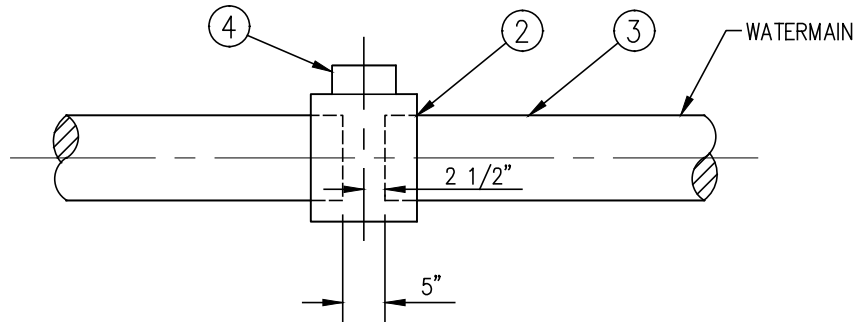
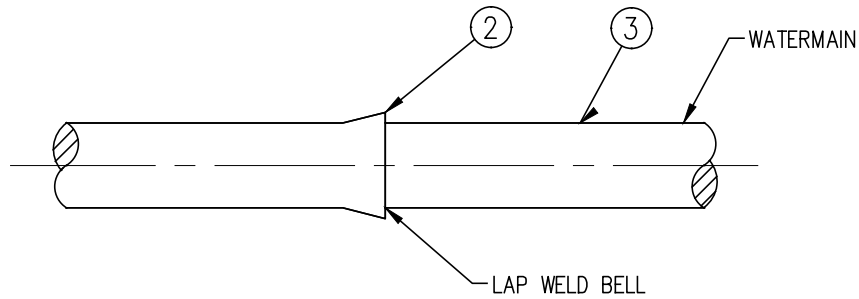


**TYPE - I**



**TYPE - II**



**TYPE - III**

NOTES:

- ① 1'-0" ( 12"φ THRU 36"φ ) AND 6" ( LESS THAN 12"φ ) PER STD. NO. C-3.
- ② CUT-TO-FIT OPTIONAL TO THE CONTRACTOR UNLESS OTHERWISE NOTED ON THE PLANS. WELD AS PER SPEC'S.
- ③ CUT-TO-FIT PIPE ( LENGTH AS SHOWN ON PLANS ). HOLD COATING DISTANCE OF C.T.F. + 6" FIELD APPLIED COATING.
- ④ SPLIT BUTT-STRAP WITH 1 OR 2 HANDHOLES PER STD. NO. C-3.
- ⑤ 5" HALF COUPLING PER STD. NO. C-3 REQUIREMENTS WITH 1/4" PLATE WELDED TO TOP, 10" x 1/4" REINFORCEMENT COLLAR.

**JURUPA COMMUNITY SERVICES DISTRICT**

SCALE: NONE	<b>TYPICAL CUT-TO-FIT DETAIL FOR TYPES I, II &amp; III</b>	DRAWING NO.
		<b>C-4</b>
DATE: SEPTEMBER 2020	ALBERT A. WEBB ASSOCIATES CONSULTING ENGINEERS	W.O. 19-0248
APPROVED BY: <i>Sinnaro Yos</i> Sinnaro Yos, P.E. C68607		