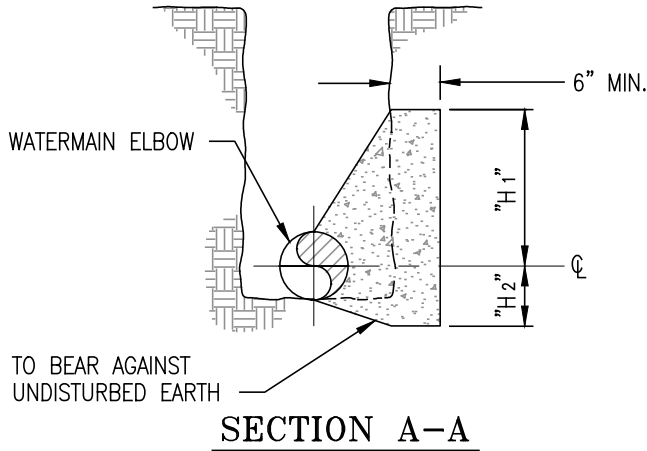


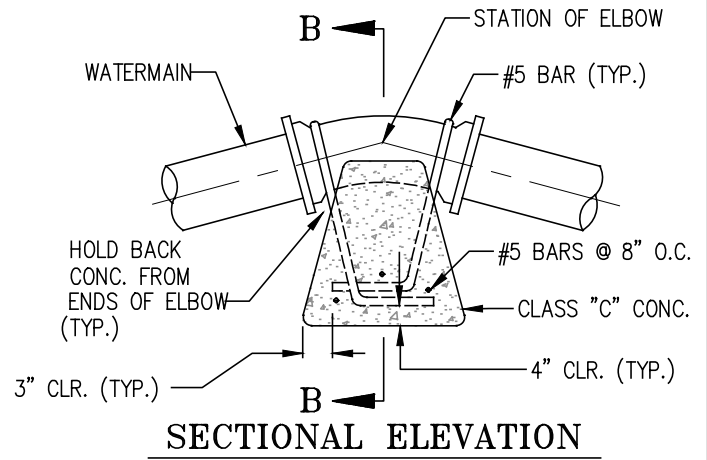
**SECTIONAL PLAN**



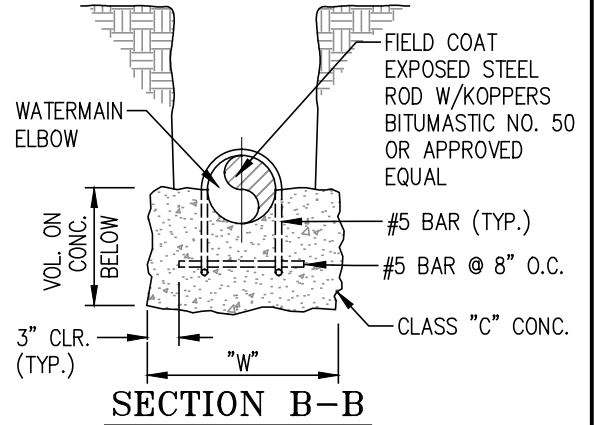
**SECTION A-A**

**HORIZONTAL THRUST BLOCK**

PIPE DIA.	"H 1"	"H 2"	"L"	H.P.I. ANGLE
4"	1/2" OD	1/2" OD	4'-0"	5° TO 41°
4"	4"	4"	4'-0"	42° TO 83°
4"	10"	5"	4'-0"	84° TO 104°
6"	1/2" OD	1/2" OD	4'-0"	5° TO 27°
6"	6"	6"	4'-0"	28° TO 51°
6"	1'-6"	9"	4'-0"	52° TO 90°
8"	1/2" OD	1/2" OD	4'-0"	5° TO 20°
8"	8"	8"	4'-0"	21° TO 36°
8"	1'-8"	10"	4'-0"	37° TO 54°
8"	2'-2"	13"	4'-0"	55° TO 78°
8"	2'-8"	16"	4'-0"	79° TO 111°
10"	1/2" OD	1/2" OD	4'-0"	5° TO 16°
10"	10"	10"	4'-0"	17° TO 28°
10"	1'-10"	11"	4'-0"	29° TO 39°
10"	2'-4"	14"	4'-0"	40° TO 53°
10"	2'-10"	17"	4'-0"	54° TO 70°
10"	2'-10"	17"	6'-0"	71° TO 120°
12"	1/2" OD	1/2" OD	4'-0"	5° TO 13°
12"	12"	12"	4'-0"	14° TO 22°
12"	2'-0"	12"	4'-0"	23° TO 30°
12"	2'-6"	15"	4'-0"	31° TO 40°
12"	3'-0"	18"	4'-0"	41° TO 52°
12"	3'-0"	18"	6'-0"	53° TO 83°



**SECTIONAL ELEVATION**



**SECTION B-B**

**VERTICAL ANCHOR BLOCK**

PIPE DIA.	"W"	VOLUME OF CONC. CF	GRADE% DIFFERENCE
4"	1'-6"	4 : 3	5 TO 15
4"	1'-6"	6 : 5	16 TO 25
4"	1'-6"	8 : 6	26 TO 35
4"	1'-6"	10 : 8	36 TO 45
4"	1'-6"	13 : 0	46 TO 55
4"	1'-6"	15 : 1	56 TO 65
6"	2'-0"	7 : 6	5 TO 10
6"	2'-0"	11 : 4	11 TO 25
6"	2'-0"	15 : 2	26 TO 40
6"	2'-0"	22 : 8	41 TO 55
8"	2'-0"	10 : 3	5 TO 10
8"	2'-0"	15 : 5	11 TO 20
8"	2'-0"	20 : 6	21 TO 30
8"	2'-0"	31 : 0	31 TO 40
8"	2'-0"	41 : 3	41 TO 55
10"	2'-6"	20 : 9	5 TO 15
10"	2'-6"	27 : 8	16 TO 25
10"	2'-6"	41 : 7	26 TO 35
10"	2'-6"	55 : 6	36 TO 45
10"	2'-6"	69 : 5	46 TO 55
12"	2'-6"	27 : 6	5 TO 15
12"	2'-6"	36 : 8	16 TO 25
12"	2'-6"	55 : 3	26 TO 35
12"	2'-6"	73 : 7	36 TO 45
12"	2'-6"	92 : 1	46 TO 55

**JURUPA COMMUNITY SERVICES DISTRICT**

SCALE: NONE

DATE: SEPTEMBER 2020

APPROVED BY: *Sinnaro Yos*  
Sinnaro Yos, P.E. C68607

**THRUST BLOCKS FOR D.I.P. PIPELINES, CLASS 200 P.S.I. MAX.**

ALBERT A. WEBB ASSOCIATES  
CONSULTING ENGINEERS

RIVERSIDE

CALIFORNIA

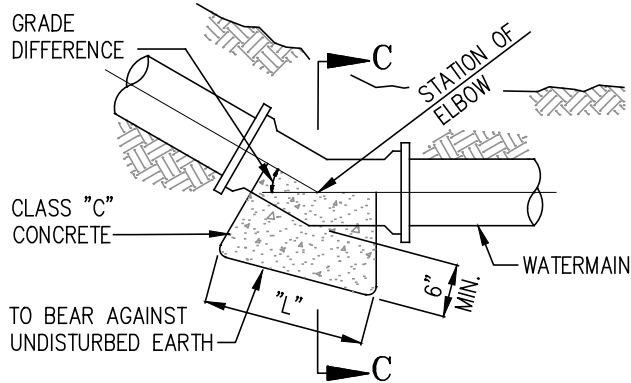
DRAWING NO.

**C-1**

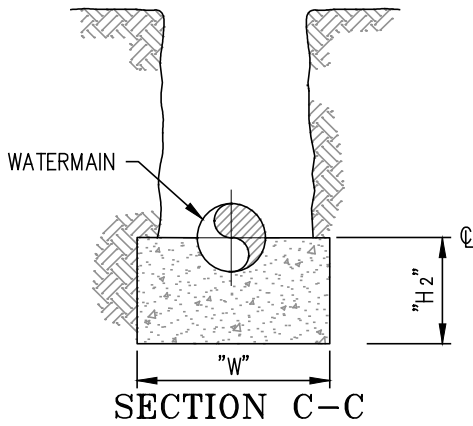
SHEET 1 OF 2

W.O. 19-0248

REV.



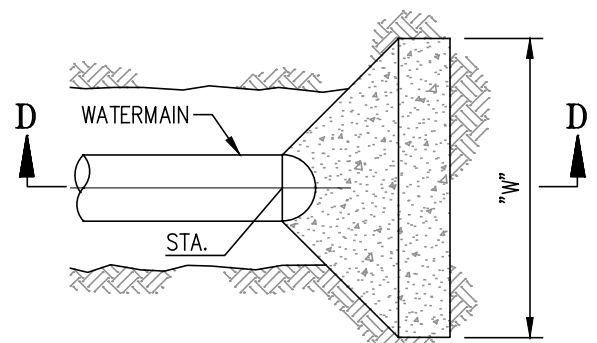
**SECTIONAL ELEVATION**



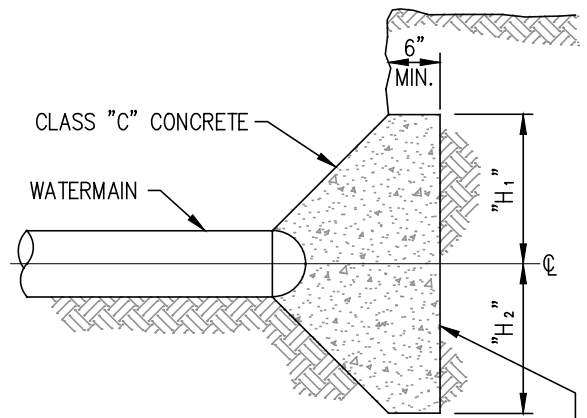
**SECTION C-C**

**VERTICAL BEARER BLOCK**

PIPE DIA.	"W"	"H 2"	"L"	GRADE % DIFF.
4"	1'-6"	8"	12"	5 TO 60
6"	2'-0"	9"	12"	5 TO 40
6"	2'-0"	9"	1'-6"	41 TO 55
8"	2'-0"	10"	12"	5 TO 25
8"	2'-0"	10"	1'-6"	26 TO 40
8"	2'-0"	10"	2'-0"	41 TO 55
10"	2'-6"	14"	12"	5 TO 10
10"	2'-6"	14"	2'-0"	11 TO 40
10"	2'-6"	14"	3'-0"	41 TO 60
12"	2'-6"	15"	2'-0"	5 TO 25
12"	2'-6"	15"	3'-0"	26 TO 45
12"	2'-6"	15"	4'-0"	46 TO 60



**SECTIONAL PLAN**

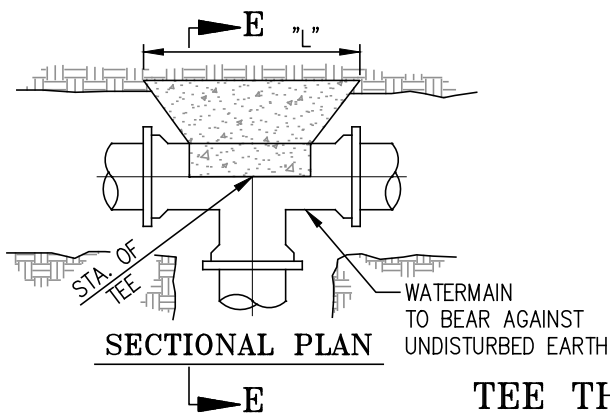


**SECTION D-D**

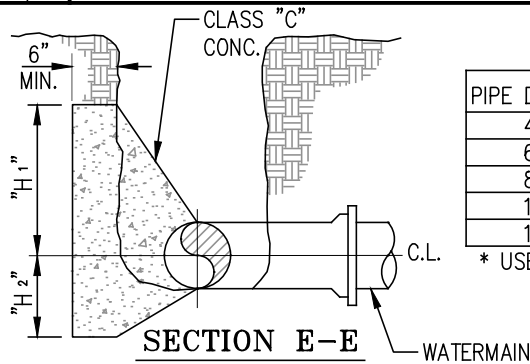
TO BEAR AGAINST UNDISTURBED EARTH

**END THRUST BLOCK**

PIPE DIA.	"H 1"	"H 2"	"W"
4"	9"	6"	3'-6"
6"	1'-6"	9"	4'-0"
8"	2'-2"	13"	4'-0"
10"	2'-10"	17"	4'-0"
12"	3'-0"	1'-6"	5'-0"



**SECTIONAL PLAN**



**SECTION E-E**

**TEE THRUST BLOCK**

PIPE DIA.*	"H 1"	"H 2"	"W"
4"	9"	6"	3'-6"
6"	1'-6"	9"	4'-0"
8"	2'-2"	13"	4'-0"
10"	2'-10"	17"	4'-0"
12"	3'-0"	1'-6"	5'-0"

\* USE OUTLET PIPE DIAMETER

**JURUPA COMMUNITY SERVICES DISTRICT**

SCALE: NONE

DATE: SEPTEMBER 2020

APPROVED BY:

*Sinnaro Yos*  
Sinnaro Yos, P.E. C68607

**THRUST BLOCKS FOR D.I.P.  
PIPELINES, CLASS 200 P.S.I. MAX.**

ALBERT A. WEBB ASSOCIATES  
CONSULTING ENGINEERS

RIVERSIDE

CALIFORNIA

DRAWING NO.

**C-1**

SHEET 2 OF 2

W.O. 19-0248

REV.