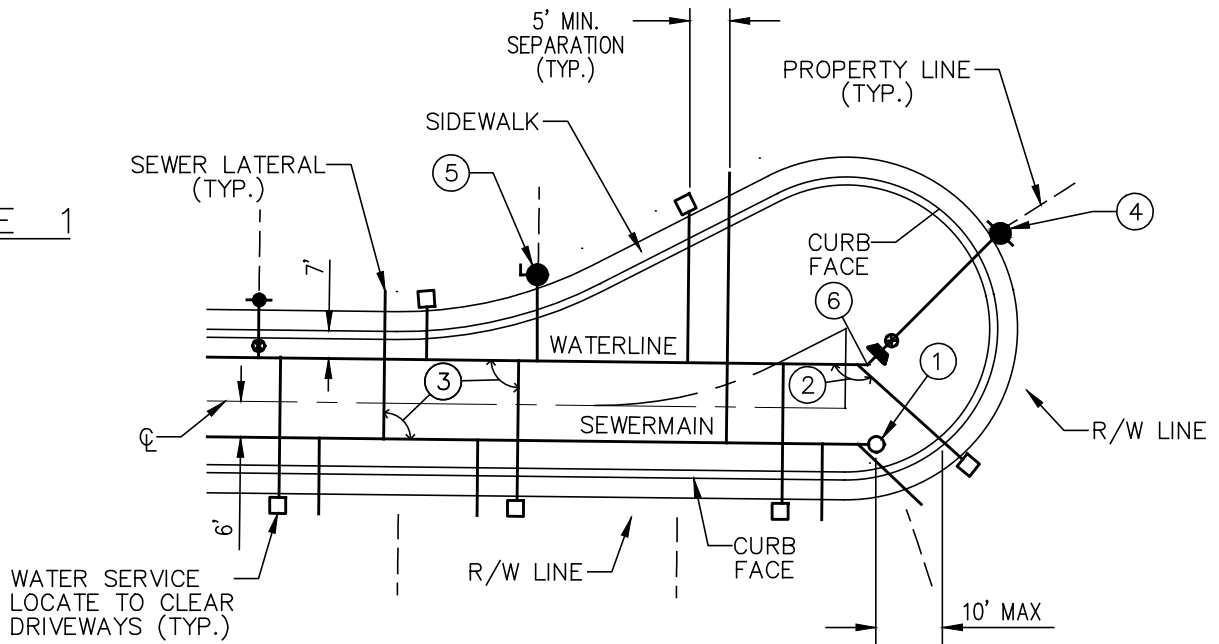
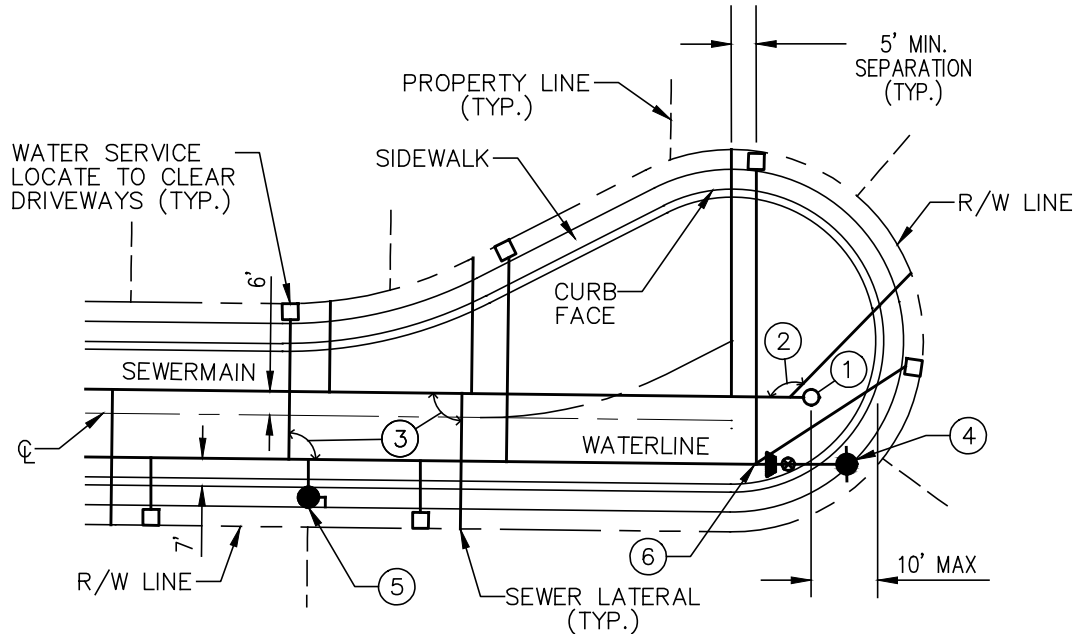


CASE 1



CASE 2




**NOTES:**

- ① USE EJ COMPOSITE 3200 SERIES 4 LOCK TITUS TWIST LOCK COVER WHERE CUL-DE-SAC CREATES LOW POINT.
- ② 45° ANGLE ONLY IF NECESSARY TO SERVE REAR LOTS (WATER AND SEWER).
- ③ 90° ANGLE (STANDARD) (WATER AND SEWER).
- ④ END OF MAIN FIRE HYDRANT (TO SERVE AS A BLOW-OFF) LOCATE TO CLEAR DRIVEWAYS.
- ⑤ CREATE HIGH POINT (3' MIN. DEPTH OF COVER) AND LOCATE A.V. AT THIS LOCATION.
- ⑥ END OF WATERLINE (MAX. OF 4'+/- DEPTH OF COVER).

# JURUPA COMMUNITY SERVICES DISTRICT

SCALE: NONE

DATE: SEPTEMBER 2020

APPROVED BY:  
  
 Sinnaro Yos, P.E. C68607

## OFFSET CUL-DE-SAC WATER AND SEWER SERVICES

ALBERT A. WEBB ASSOCIATES  
CONSULTING ENGINEERS

RIVERSIDE

CALIFORNIA

DRAWING NO.

## AA-4

W.O. 19-0248

REV.