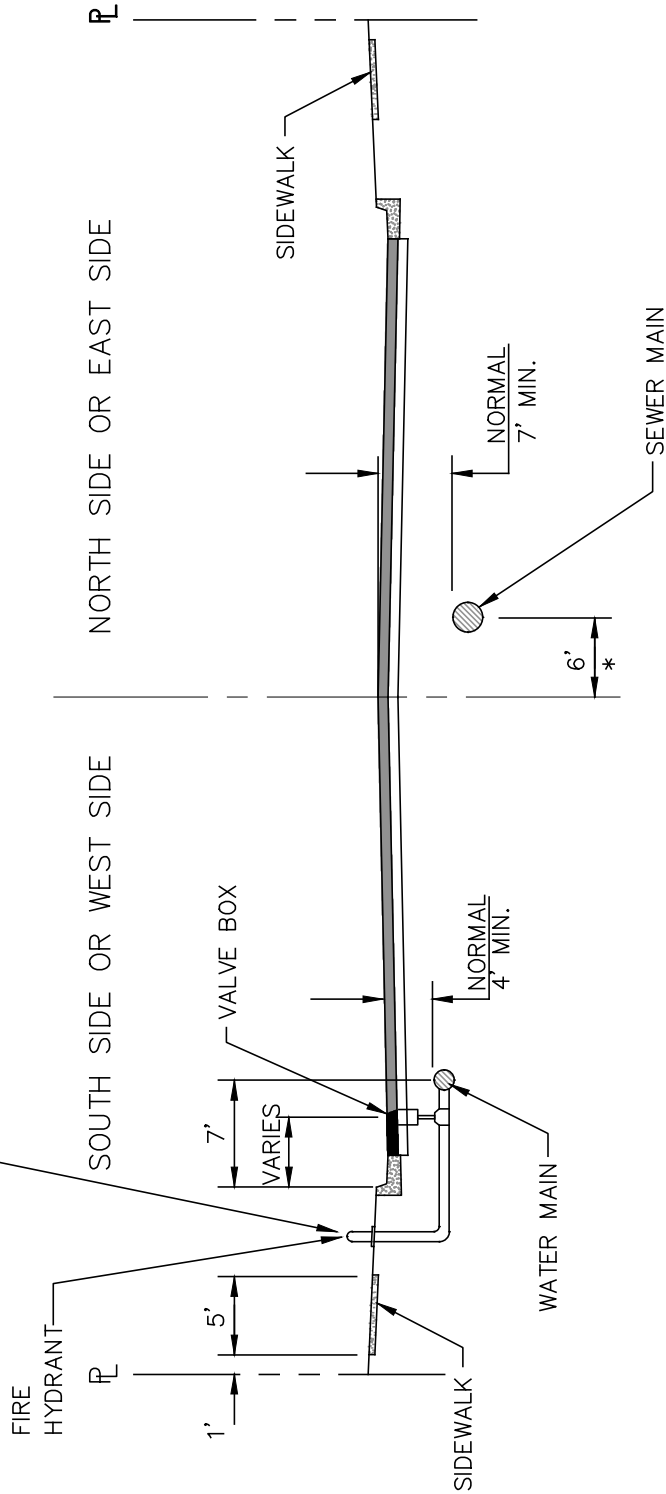


LOCATE IN ACCORDANCE WITH RIVERSIDE COUNTY ORDINANCE NO. 461.10, STANDARDS NO. 400 AND 701



* EXCEPT IN DIVIDED ROADWAYS.

NOTE:

1. FOR COMMERCIAL SIDEWALKS WITH 6' SIDEWALK LOCATED AT CURB, FIRE HYDRANT SHALL BE 7.5 FEET BEHIND THE FLOWLINE AND WITH THE SIDEWALK LOCATED AT THE RIGHT-OF-WAY OR MEANDERING, FIRE HYDRANT SHALL BE 1.5 FEET BEHIND THE FLOWLINE PER RIVERSIDE COUNTY STANDARD NO. 701

JURUPA COMMUNITY SERVICES DISTRICT

SCALE: NONE

DATE: SEPTEMBER 2020

APPROVED BY:

Sinnaro Yos

Sinnaro Yos, P.E. C68607

STANDARD WATER/SEWER LOCATION

ALBERT A. WEBB ASSOCIATES
CONSULTING ENGINEERS

RIVERSIDE

CALIFORNIA

DRAWING NO.

AA-2

W.O. 19-0248

REV.