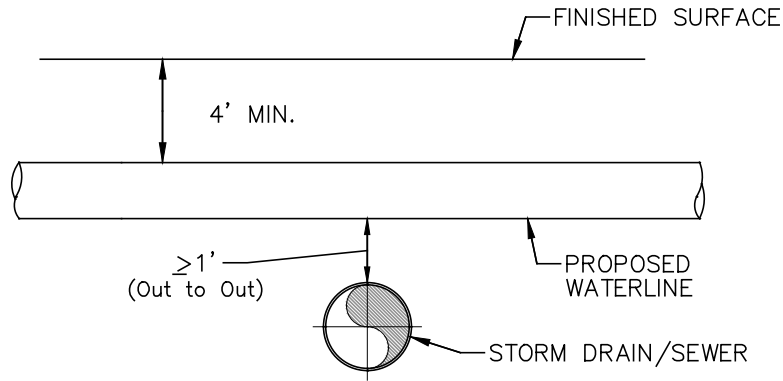
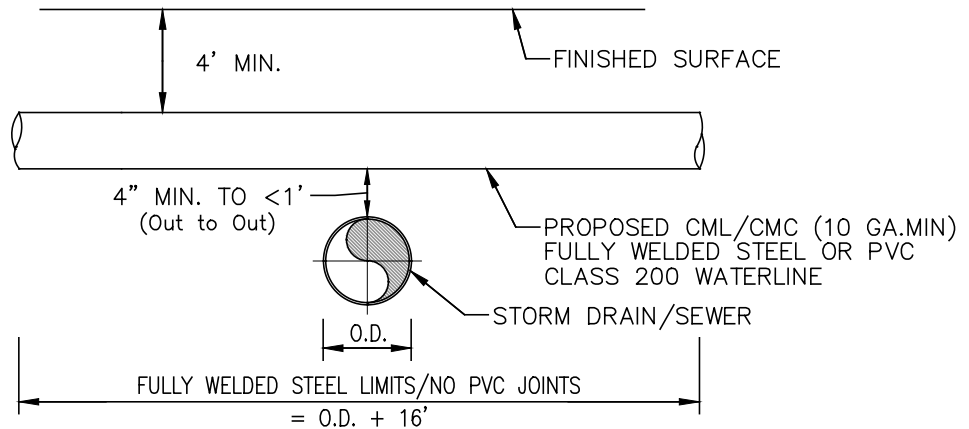


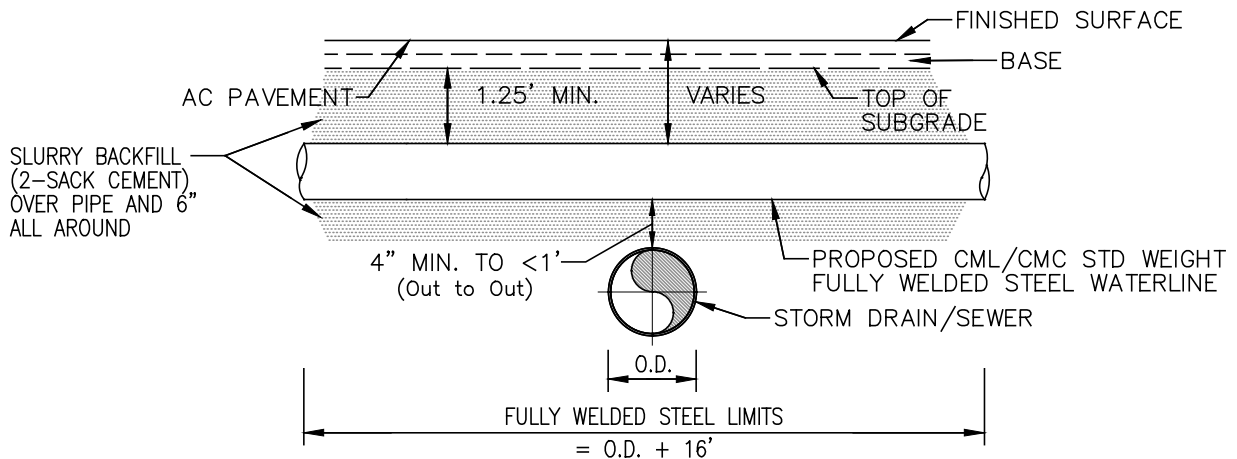
TYPE - 1 STANDARD COVER AND STANDARD SEPARATION



TYPE - 2 STANDARD COVER AND MINIMUM SEPARATION



TYPE - 3 SHALLOW COVER AND MINIMUM SEPARATION



NOTES:

1. WHEN A HIGHPOINT OVER THE STORM DRAIN/SEWER IS CREATED, FOR TYPE-3, A SPECIAL CONSTRUCTION CALLOUT WILL BE NECESSARY ON THE PLANS TO PROTECT IN PLACE THE AIR VALVE DURING CONSTRUCTION.
2. WHEN A CROSSING OCCURS NEAR A TEE OR CROSS, FOR TYPE-3, THE USE OF A BUTTERFLY VALVE IN LIEU OF A GATE VALVE MAY BE REQUIRED, PER DISTRICT APPROVAL.

JURUPA COMMUNITY SERVICES DISTRICT

WATERLINES CROSSING OVER STORM DRAINS/SEWERS

DRAWING NO.

A-11

SCALE: NONE

DATE: SEPTEMBER 2020

APPROVED BY:

Sinnaro Yos
Sinnaro Yos, P.E. C68607

ALBERT A. WEBB ASSOCIATES
CONSULTING ENGINEERS

RIVERSIDE

CALIFORNIA

W.O. 19-0248

REV.